



DYNIL® SOUND BARRIER

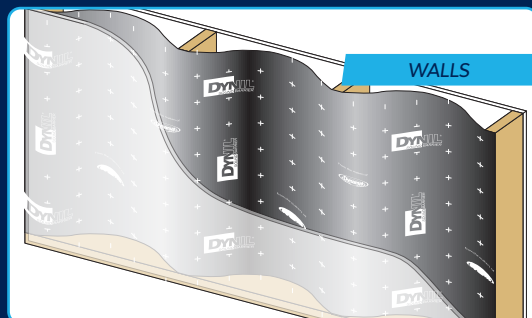
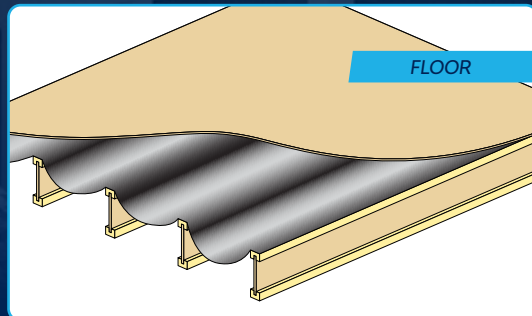
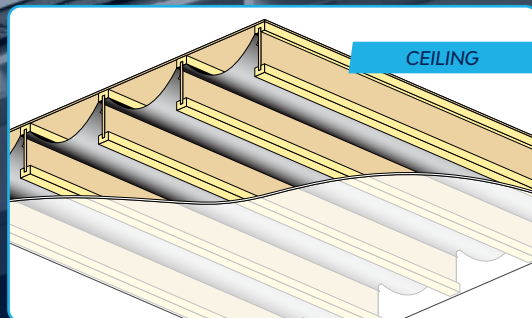
- » Isolate Listening Spaces
- » Block Noise Through Rooms
- » Maximize Sonic Privacy

Sound Barrier For Walls, Ceilings & Floors

Dynil is a dense, ultra-pliable, acoustic barrier that prevents sound transmission through walls, floors and ceilings. Dynil works to prevent unwanted noise transfer outside the room while creating an optimal acoustic environment in the room. Dynil makes any room quieter and is ideal for the home theater, home office, nursery, exercise room, study, laundry room and bedroom.

Not Only For The Theater

Dynil is perfect for areas where silence is needed. Dynil installed in the upstairs bedroom ensures a quiet sleep even if the kitchen dishwasher is running. Use Dynil throughout your home and get "Better Sound" and "Quieter Living".



POOR PERFORMANCE
WITHOUT



SUPERIOR PERFORMANCE
WITH DYNIL



Dynil
112.5 sq.ft. 0.095" thick x 54" x 25' roll
PART NO. 50100

ARCHITECTURAL SERIES



Dynamat Inc.
3042 Symmes Road | Hamilton, OH 45015
513.860.5094 | www.dynamat.com



Specifications

Appearance:

Black Flexivynyl Barrier

Color:

Charcoal Gray

STC: 28

Mass:

1lb per square foot

Thickness:

0.125 inches

Temperature

Range (Resistance):

40°F to +220°F
(-40°C to +105°C)

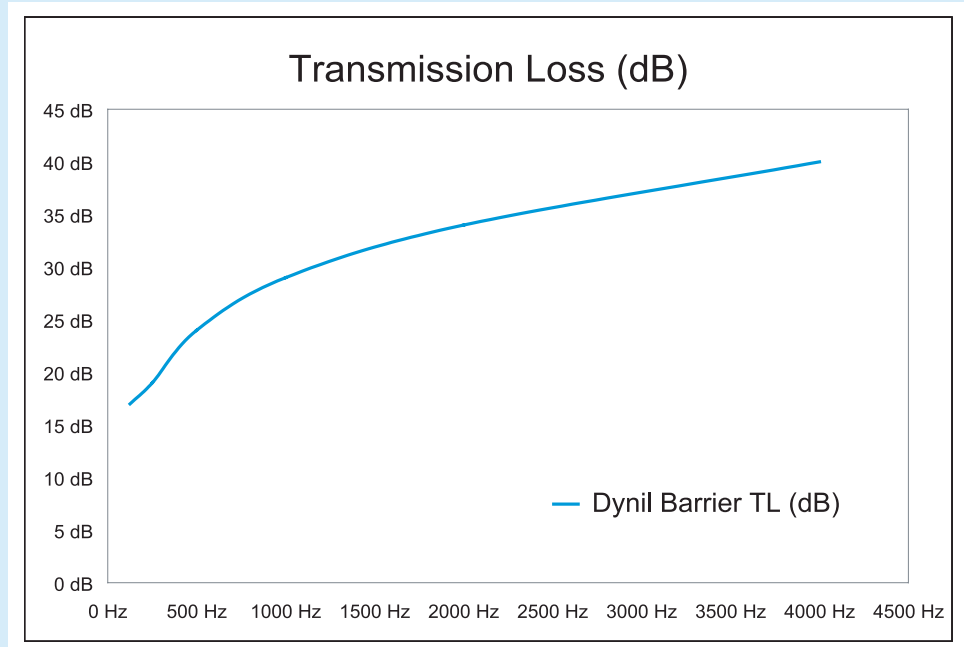
Standards:

Meets UL94-V0

Chemical

Resistance:

Resistant to water
and mineral oils



Installation

Dynil Barrier is designed to be installed during the construction or remodeling of your home.

Wall Installation: Measure the height of your studs. Cut Dynil to this length. On standard wall construction, attach the 54" wide material across four studs (48" across) allowing the material to drape between the studs. (See illustration on opposite side) On staggered wall construction, weave Dynil in and out between the studs. (See illustration on opposite side) Fasten to studs with standard staple gun. Attach dry-wall according to manufacturer's instructions.

Floor Installation: Measure length of room perpendicular to joists. Cut Dynil to this length. Apply before underlayment installation. The maximum roll length is 25 ft. For floors longer than 25 ft, overlap the material

2". Position the 54" wide material across 48" of floor joists and fasten with standard staple gun. (See illustration on opposite side) Attach sub-floor according to manufacturer's instructions.

Ceiling Installation: Measure the length of ceiling along the rafters. For regular ceilings, cut Dynil slightly larger than the spacing between rafters. Attach Dynil with a standard staple gun between rafters so that it sags 2" from the mounting points. Finish drywall ceiling according to manufacturer's instructions. (See illustration on opposite side) For resilient channel or drop ceilings, attach Dynil across the rafters with a standard staple gun so that it sags 0.5" from the mounting points. Finish drywall or install drop panels according to manufacturer's instructions. (See illustration on opposite side.)

